



Swissh Commercial Equipment
6060 Métropolitain E.
Bureau 200
Montréal, Québec H1S 1A9

Phone: 514 524-6005
Fax: 514 524-3305
Toll Free: 1-888-794-7749
E-mail: info@swissh.ca

25PLC

GLASS/DISHWASHER

INSTALLATION INSTRUCTIONS & USER MANUAL



Retain this manual for future references.

IMPORTANT SAFETY INSTRUCTIONS

Your Swiss Dish/Glasswasher has been designed and engineered by our craftsmen to exacting standards of reliability and long life while still providing you with outstanding performance and results.

To ensure proper use of the unit and guarantee efficiency, please take a moment to read the installation instructions and user manual thoroughly.

WARNING: When using your dishwasher, follow basic precautions, including the following:

- (a) Read all instructions before using the dishwasher.
- (b) Use the dishwasher only for its intended function.
- (c) Use only detergents or wetting agents recommended. Chlorinated products must not be used with this unit. **Using chlorinated products will void the warranty.**
- (d) When loading items to be washed:
 - (1) Load sharp knives with the handles up to reduce the risk of cut type injuries.
- (e) Do not abuse, sit on, or stand on the door or dish rack of the dishwasher.
- (f) Under certain conditions, hydrogen gas may be produced in a hot water system that has not been used for two weeks or more. **HYDROGEN GAS IS EXPLOSIVE.** If the hot water system has not been used for such a period, before using dishwasher turn on all hot water faucets and let the water flow from each for several minutes. This will release any accumulated hydrogen gas. As the gas is flammable, do not smoke or use an open flame during this time.

Remove the door to the washing compartment when removing an old dishwasher from service or discarding it.

NOTE:

Before leaving the factory, every dishwasher has been thoroughly tested and adjusted to standard conditions. Therefore, it is possible that a small quantity of water remains in the wash tank.

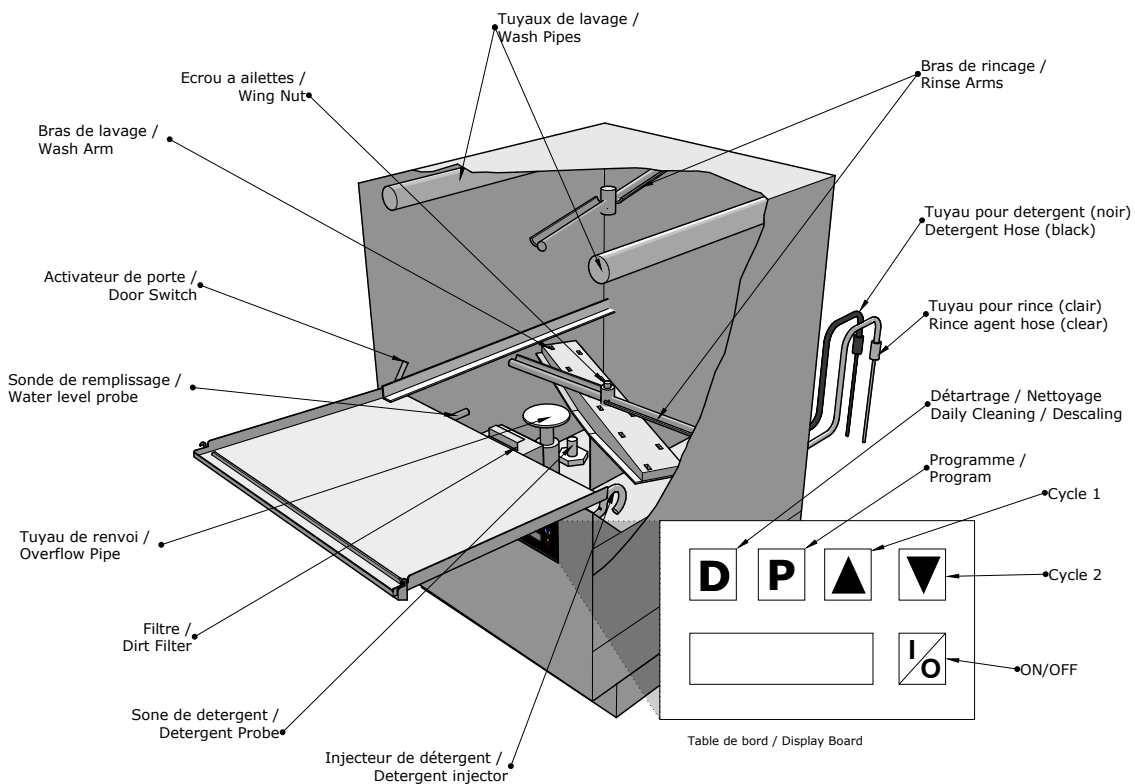
DO NOT REMOVE THE OVERFLOW PIPE

1.0 GENERAL

1.1 Carefully remove unit from carton

While removing the unit from the carton, make sure that the equipment has not been damaged during the transport and that no parts are missing. Make sure, that machine has been delivered with following parts:

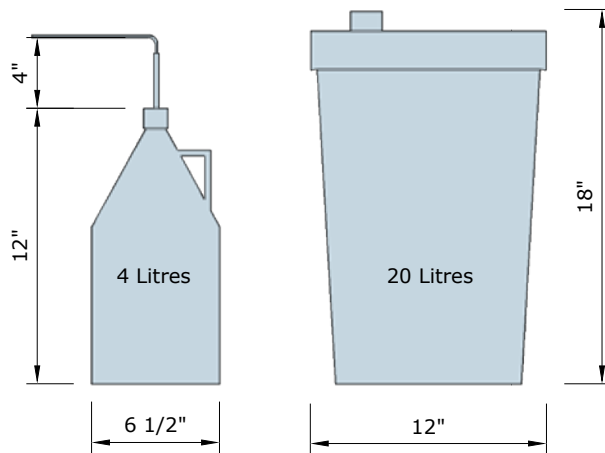
- 2 Washpipes
- Dirt filter
- Overflow pipe
- Drain reducer connector
- 1 dishrack / 1 cutlery rack



2.0 INSTALLATION AND PLACEMENT

To simplify the Technical Spec Sheet (see pages 6 & 7), all connections (drain, water, electricity) have been located to the right side of the equipment. However, with the fact that the Swisssh has flexible connections, and by respecting the indicated measurements, some or all connections can be either on the left or right side of the machine.

Apart from the space required for your machine, make sure, that you also provide enough space for the placement of your detergent and rinse chemicals. Detergent and rinse pails come in two different sizes, according to the space available. Pail sizes of 4 litres requires 405mm (16") clearance in height and 165mm (6") in width. The 20 litres pail sizes require 455mm (18") in height and 305mm (12") in width.



2.1 Drain connection

To minimise the future maintenance of your dish/glasswasher, the Swisssh 25PLC has been designed to drain by gravity. Depending on the height of the machine base, the drain height can never exceed the recommended maximum drain height (see technical spec sheet pages 6 & 7).

Recommended maximum drain height:

- No base (standard) max. 100mm (4")
- 4" base (standard) max. 150mm (6")
- 6" base (standard) max. 200mm (8")

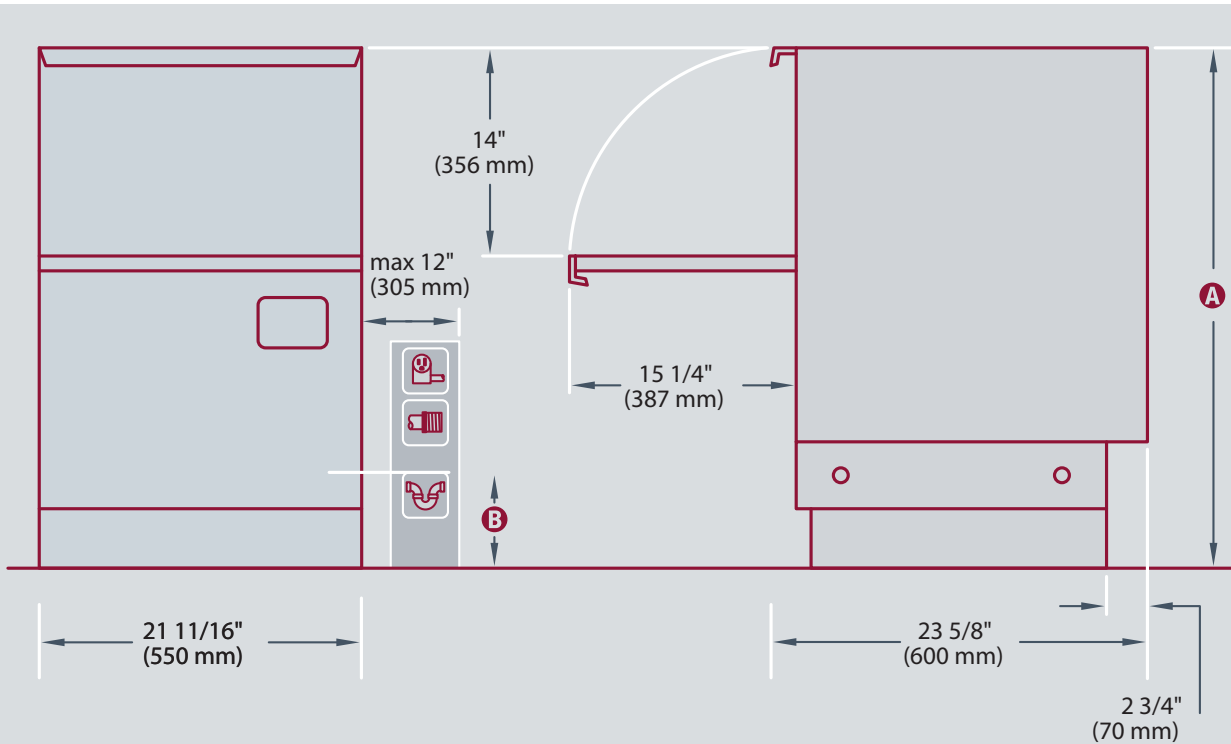
2.2 WATER CONNECTION

The water supply pipe must be minimum 1/2" with a 3/4" male national pipe thread connector (see drawing 2). Make sure that the water pressure is constant (not less than 25 psi and doesn't exceed 50 psi), otherwise a pressure regulator must be installed.

2.3 PLACEMENT AND CONNECTION

1. Adjust dish/glasswasher to required height with four corner screws. (If applicable, mount legs and tighten them with supplied bolts and nuts.) Use a spirit level to level the equipment.
2. Place the dish/glasswasher in designated location and make sure that the water, drain, detergent hoses and the electrical cable feed without squeezing to their proper connection location.
3. Re-check that machine is level.
4. Attach 3/4" quick connect (female national pipe thread) with supplied gasket to 3/4" male national pipe thread connector.
5. Connect the supplied drain hose with a gear clamp to the 32mm (1 1/4") copper drainpipe. Connect the electrical supply (plug or connector box).
6. Place the black hose in the detergent solution and the clear hose in the rinse solution.
7. Your dish/glasswasher is now installed and ready for start-up.

TECHNICAL SPECIFICATION



SPECIFICATION SUMMARY:

Maximum hourly output:	48 standard racks; 864 - 9" plates; 2,352 - 2 1/2" glasses
Water consumption :	3 liters per rack (0.79 U.S. gal)
Cycle time:	Adjustable fom 30 - 360 seconds
Motor pump:	1 Hp
Detergent & Rinse pump:	Integrated and controlled by PLC (Programmable Logic Control)
Ease of service:	Adjustment & component replacement from the front Technical phone assistance 24/7
Warranty:	2 years on parts; 1 year on labor.

BASE	MEASURE A	MEASURE B
0"	32 1/4" (819 mm)	4" max (100 mm)
4" (Standard)	34 1/2" - 36 1/2" (876 mm - 927 mm)	6" max (150 mm)
6"	36 1/2" - 38 1/2" (927 mm - 978 mm)	8" max (200 mm)



SUPPLY VOLTAGE	AMPS	DESCRIPTION
208-240/60/ 1	37A*	Electrical plug (50A) type 6/50R (e.g. Eagle #1252). (Dishwasher is supplied with power cord and plug)
208-240/60/ 3	24A	Connector box - Dishwasher supplied with power cord only

* For information on availability of 27A or 17A rating, call 1-888-794-7749



Unit is supplied with flexible stainless steel water hose with 3/4" female pipe thread connector

- 140°F (60°C) recommended water temperature.
- Minimum 1/2" pipe with 3/4" male pipe thread connector (N. P.S.).
- Acceptable water flow pressure range : 25-50 psi. If water pressure varies, a water regulator is recommended (by others) with 35 psi setting



Dishwasher is supplied with 30" (750 mm) flexible drain hose and two s/s hose clamps.

- Dishwasher is drained by gravity (no pump).
- Inner diameter (ID) of drain hose is 1 1/4" (32 mm).

NOTE S:

- Utilities may be placed on either side of the unit provided measures of shaded area are respected
- Reserve place for detergent and rinse chemicals:
 - 4 liters; width 6 1/2" (165 mm), height 12 1/4" (310 mm)
 - 20 liters; width 12 1/4" (310 mm), height 15 1/2" (395 mm)

3.0 START-UP

3.1 Detergent and rinse agent

Make sure that you have enough detergent and rinse agent for your operation and that spare detergent and rinse agent are on stock for continuous operation. Verify that both hoses are fed to the appropriate pail (detergent = black hose, rinse = clear hose).

3.2 Placement of necessary parts

Place overflow pipe into the drain opening of the machine. Place the dirt filter on the inside of the front wall of the machine (drawing 1).

3.3 Wash and rinse arms

Verify that the wash and rinse arms turn freely and in a regular rotating movement. Insert wash pipes at the top left and right corners. Make sure that they are correctly placed (you will hear a clicking sound).

3.4 Rinse arm speed adjustments

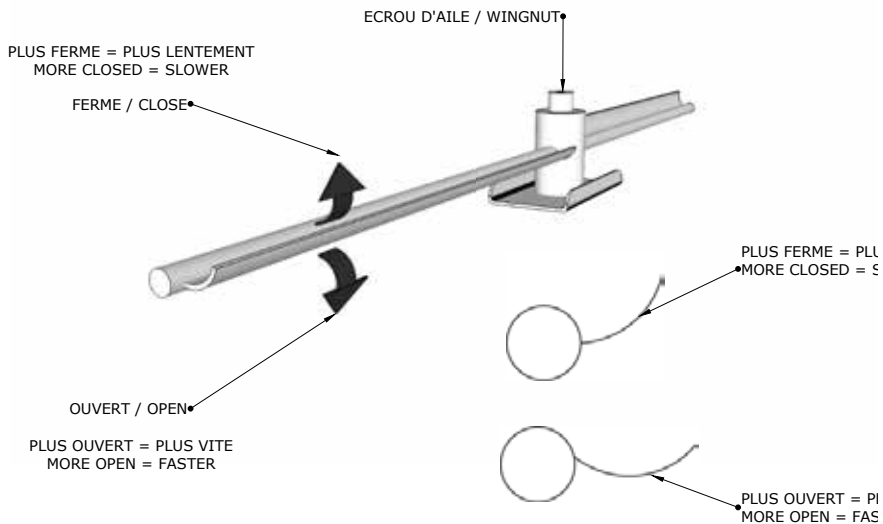
Depending on local water pressure, the speed of the rinse arms must be adjusted for best results.

1. Close the front door and press the "I/O" button. The red LED will light up and after a short delay (approximately 3 seconds) the dishwasher will fill itself through the rinse arms.
2. Let machine fill for 5 seconds and then switch the "I/O" button in the off position and simultaneously open the door to verify the speed of the rinse arms. A rotation rate of 1 - 1.5 revolutions per second is desirable.

Rinse arm too slow => open wing tips slightly
Rinse arm to fast => close wing tips slightly

Repeat step 2 until desired rinse arm speed has been achieved.

Note: After the first few days of operation (break-in period) verify the rinse arm speed and re-adjust accordingly if necessary.



3.5 Operation

Close the front door. Press the "I/O" button. The red LED will light up. Wait - dishwasher will automatically fill up and inject detergent. To operate, press the CYCLE 1 or CYCLE 2 button

4.0 CLOSE-DOWN AND DAILY MAINTENANCE

In case of heavy use, the close-down or the daily maintenance can be done several times a day. For close-down and the daily maintenance, proceed with the following steps:

- 4.1 Press the "I/O" button (the red "LED light will go off).
- 4.2 Open front door and remove the overflow pipe. Caution: Overflow pipe and washwater might be hot.
- 4.3 Remove and clean dirt filter and washpipes. Make sure that wash and rinse arms are clean and rotate freely.
- 4.4 Should wash arm not rotate freely or has blocked jets, remove wash arm by removing wingnut below rinse arm (drawing 4) and pull-off wash arm to be cleaned. After cleaning jets and shaft, reassemble. Wash arm should rotate freely again.
- 4.5 Rinse machine by pressing the "I/O" button. Let the machine rinse for at least 10 seconds and press the "I/O" again to stop the process.

5.0 TROUBLE SHOOTING

5.1 Bad results

5.1.1 In case of bad results, i.e. dirty or spotted dishes, follow the regular close-down procedure. Before using the machine again, gently clean the tip of the detergent probe in the back left corner with a green scrubbing pad from dirt and residue. Start machine by following the described start-up steps and make sure:

- That wash arms and rinse arms run freely
- That you are using the proper detergent and rinse agent
- That there is enough detergent and rinse agent in the pails
- That the detergent and rinse pads are not being squeezed by anything

5.1.2 Should the bad results prevail even though you have followed the steps under 5.1.1 call your detergent supplier. In the meantime to remedy the situation, you can hand feed your dish/glasswasher with detergent:

1. Add 1/4 cup detergent at the start-up.
2. Add every 3 cycles 1/8 cup of detergent into the washing chamber.

5.2 At start-up, machine fills continuously.

- Switch machine off by pressing "I/O" button. (The red LED will go off).
- With a green scrubbing pad, gently clean the water level probe (front left) from possible dirt and residue.

If problem should persist, call your local Swiss service technician

WARNING: Improper connection of the equipment-grounding conductor can result in a risk of electric shock. Check with a qualified electrician or service representative if you are in doubt whether the appliance is properly grounded. Do not modify the plug provided with the appliance; if it will not fit the outlet have a proper outlet installed by a qualified electrician.

GROUNDING INSTRUCTIONS: This appliance must be grounded. In the event of a malfunction or a breakdown, grounding will reduce the risk of electric shock by providing a path of least resistance for electric current. This appliance is equipped with a cord having an equipment-grounding conductor and a grounding plug. The plug must be plugged into an appropriate outlet that is installed and grounded in accordance with all local codes and ordinances.

(a) Verify the rating of your machine.

Machines with ratings of 208 - 240/60/1 phase require 37 Ampere and the fitting of an electrical plug (female type 6/50R e.g. Eagle #1252). Mount the receptacle above the water and drain line in a dry place 4 - 8" to the right or left of the dishwasher (see pages 6 & 7)

(b) Machines with rating of 208/60/3 phase require a connector box installed in the place of the electrical plug.

(c) The power-supply receptacle for the appliance shall be installed in a cabinet or on a wall adjacent to the under counter space in which the appliance is to be installed.

(d) There shall be an opening through the partition between the compartments specified in (c) that is large enough for the attachment plug to pass through. The longest dimension of the opening shall not be more than 38mm.

(e) The edges in the opening specified in (d) shall, if the partition is wood, be smooth and rounded or, if the partition is metal, be covered with an edge protector provided for this purpose by the manufacturer; and

(f) Care shall be exercised, when the appliance is installed or removed, to reduce the likelihood of damage to the power-supply cord.